

BOSS® 819 Pipe Collar

DESCRIPTION

BOSS® 819 Pipe Collars consist of a zinc coated, factory formed, galvanized 22 gauge steel shell which contains a heat reactive intumescent material. When exposed to temperatures of approximately 300°F the graphite based intumescent material begins to expand rapidly (intumesce) to form a solid insulating char plug, and continues to expand up to approximately 1100°F, which effectively closes and seals openings where plastic pipes penetrate the fire-rated walls and floors. **BOSS® 819** Pipe Collars are available in sizes to suit 2", 3" and 4" pipes.

FEATURES

- Easy installation - saves labor costs
- Intumescent material unaffected by moisture
- UL Classified - complies with all Building Codes
- Rapid expansion for maximum effect
- Approved for a wide range of applications and penetrations
- Tested on PVC, ABS, FRPP, CPVC
- Economical
- Ideal for Retro-fit installations
- Corrosion resistant
- Unique side-lock closure for speedy installation

APPLICATIONS

BOSS® 819 Pipe Collars are used to seal PVC, CPVC and ABS pipes which penetrate through 1 and 2 hour fire-rated walls and floors, and are suitable for most common types of construction including concrete floors, concrete walls, concrete block walls and gypsum drywall assemblies. They are suitable for use on Schedule 40 plastic pipes in both closed and vented (DWW) conditions.

SPECIFICATIONS

BOSS® 819 Pipe Collars are tested in accordance with ASTM E-814 (UL 1479) and are UL Classified for a 1 and 2 hour rating. For specific test criteria and to view listings, consult the UL Fire Resistance Directory or call Accumetric, LLC.



PACKAGING

BOSS® 819 Pipe Collars are available in 2", 3" and 4" sizes, packed in boxes of 24.

LIMITATIONS

Keep dry. Do not expose to water. Not recommended for external use. There are no other limitations for the use of **BOSS® 819** Pipe Collars.

CAUTION

DIRECT CONTACT OF UNCURED SEALANT IRRITATES EYES AND MAY IRRITATE SKIN. OVEREXPOSURE TO VAPOR MAY IRRITATE EYES, NOSE AND THROAT. Avoid eye and skin contact. Use with adequate ventilation. Do not handle contact lenses with sealant on hands. IN CASE OF EYE CONTACT, flush eyes with water for 15 minutes. Obtain medical attention. IN CASE OF SKIN CONTACT, remove from skin and flush with water. Do not use solvents to remove from skin. IN CASE OF INGESTION, call physician immediately. Clean spills immediately with scrapers and water. Keep container upright and tightly closed, do not reuse. **KEEP OUT OF REACH OF CHILDREN.**

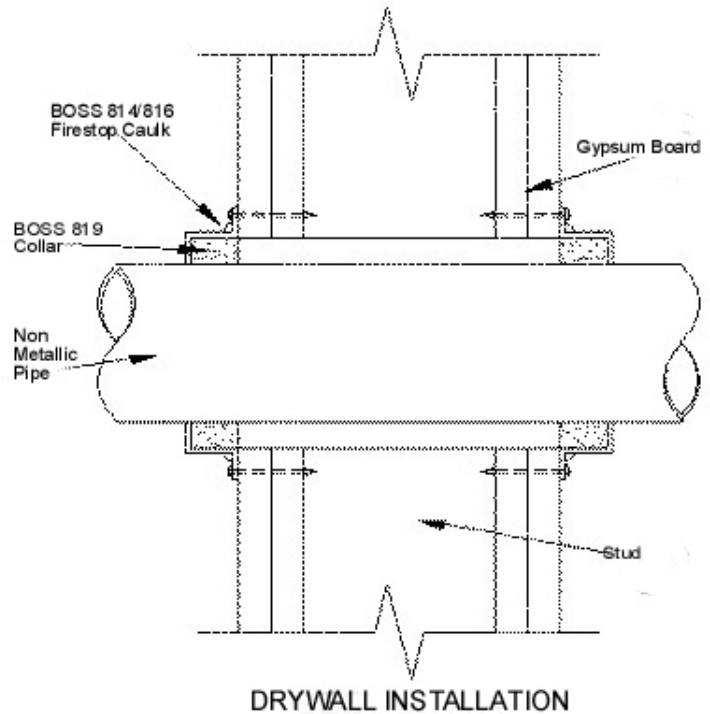
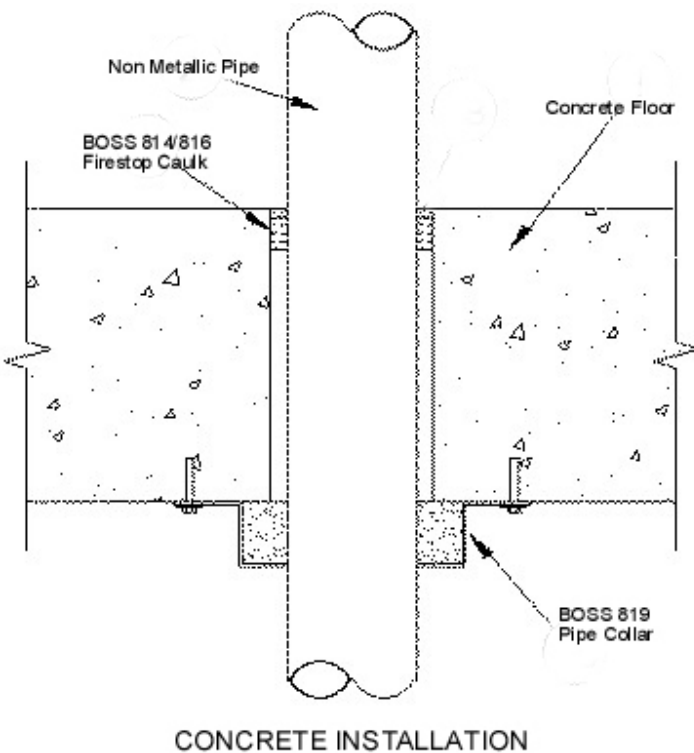
HOW TO USE

BOSS® 819 Pipe Collars are very easy to install, and there is no requirement to cut lengths of intumescent material on site as the collars are supplied ready to go with the intumescent material already in the collar.

1. Select the correct size of collar to suit the diameter of the pipe.
2. Check that any annular space between pipe and the opening is within the limits defined by the tested construction.
3. Fit the collar around the pipe on the underside of the floor or on both sides of the wall, by sliding together the fixing mechanism and firmly placing it against the wall or floor.
4. If required, mark the wall or floor surface through the slots in the integral fixing lugs, and pre-drill suitable size holes for the appropriate anchors.

For installation in concrete use 1/4" diameter x 1-1/2" long steel expansion bolts. For installation in gypsum board, use 1/8" diameter x 2" long steel hollow wall anchors.

5. After the **BOSS® 819** Pipe Collar is attached, a 3/16" bead of **BOSS® 814** or **BOSS® 816** Intumescent Caulk should be applied at the interface of the collar and the surface of the wall or floor to provide an adequate smoke seal.



USERS PLEASE READ

The information and data contained herein is believed to be accurate and reliable; however, it is the user's responsibility to determine suitability of use. Since the supplier cannot know all the uses, or the conditions of use to which these products may be exposed, no warranties concerning the fitness or suitability for a particular use or purpose are made.

It is the user's responsibility to thoroughly test any proposed use of our products and independently conclude satisfactory performance in the application.

Likewise, if the application, product specifications or manner in which our products are used requires government approval or clearance, it is the sole responsibility of the user to obtain sure authorization.

The supplier warrants only that its products will meet its specifications. There is no warranty of merchantability or fitness for use, nor any other express or implied warranty. The users exclusive remedy and the suppliers sole liability is limited to refund of the purchase price or replacement of any product shown to be otherwise than as warranted. The supplier will not be liable for incidental or consequential damages of any kind.

Suggestions of uses should not be taken as inducements to infringe any patents.

MADE IN U.S.A.

BOSS® PRODUCTS

Accumetric, LLC
350 Ring Road
Elizabethtown,
Kentucky 42701 USA
800-928-BOSS(2677)
TEL (270)769-3385
FAX (270)765-2412
Outside U.S.
TEL + (270)769-3385
FAX + (270)765-2412

Accumetric Asia Pacific, LTD
18 Kitpanit Bldg. 5th Floor
#502 Patpong Road
Suriyawong, Bangrak
Bangkok, 10500 Thailand
TEL (662)634-3060
FAX (662)634-3066

www.bossproducts.com